

338XPT

Spare parts

Ersatzteile

Pièces détachées

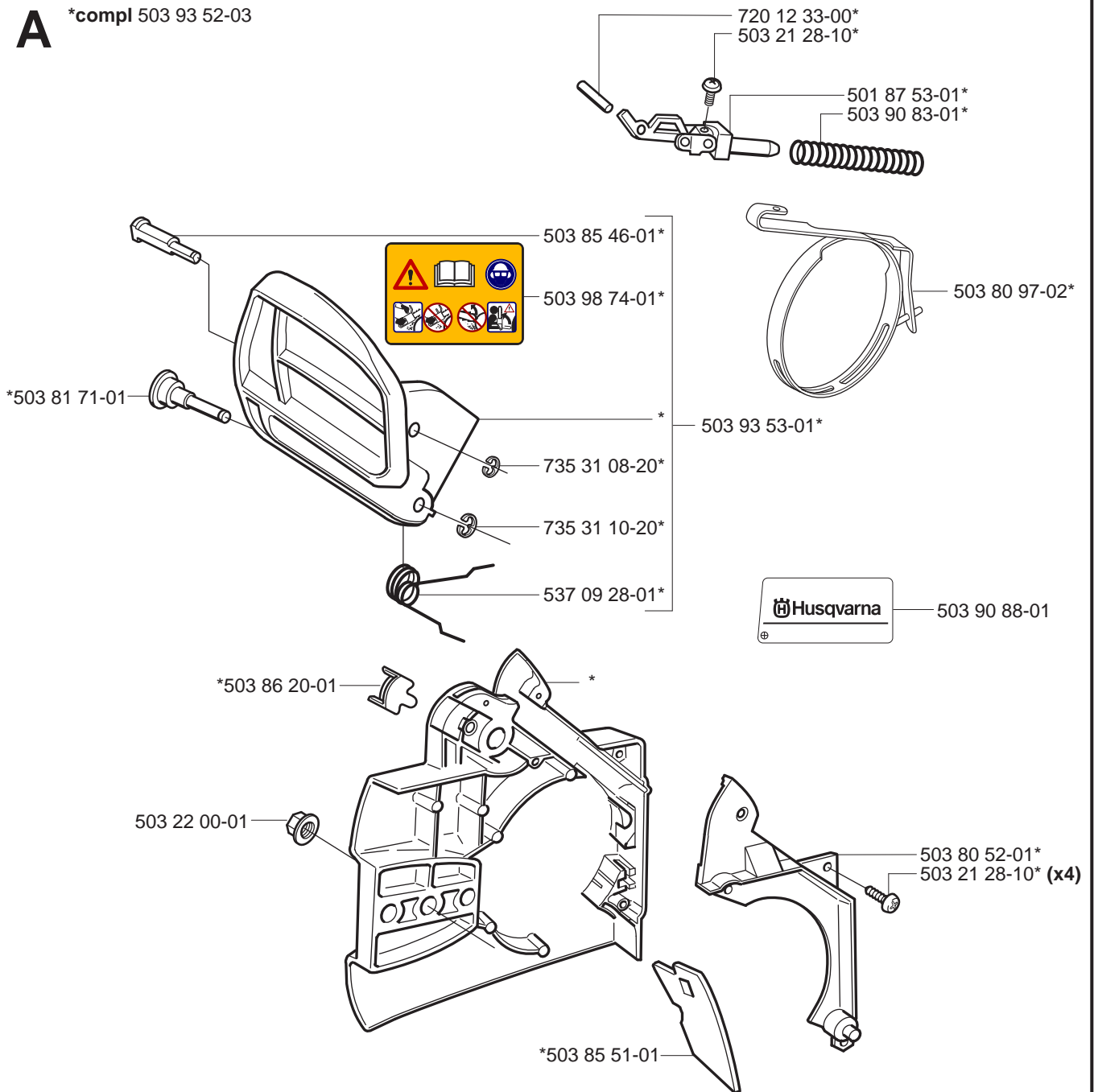
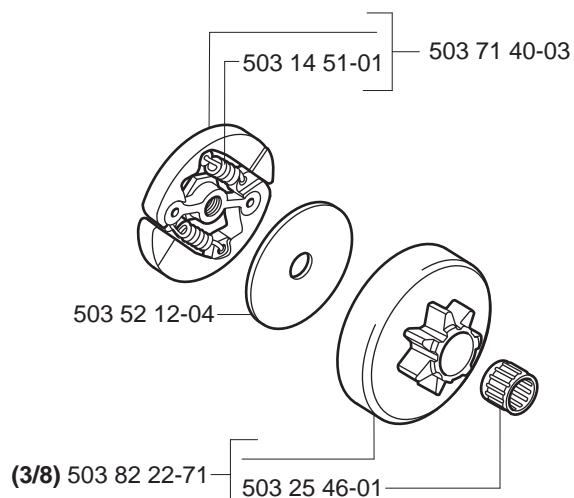
Reserve onderdelen

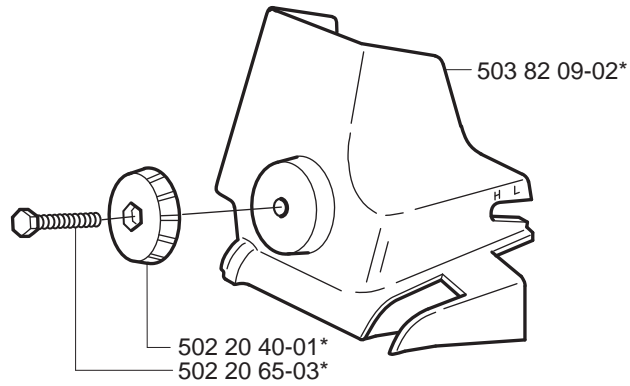
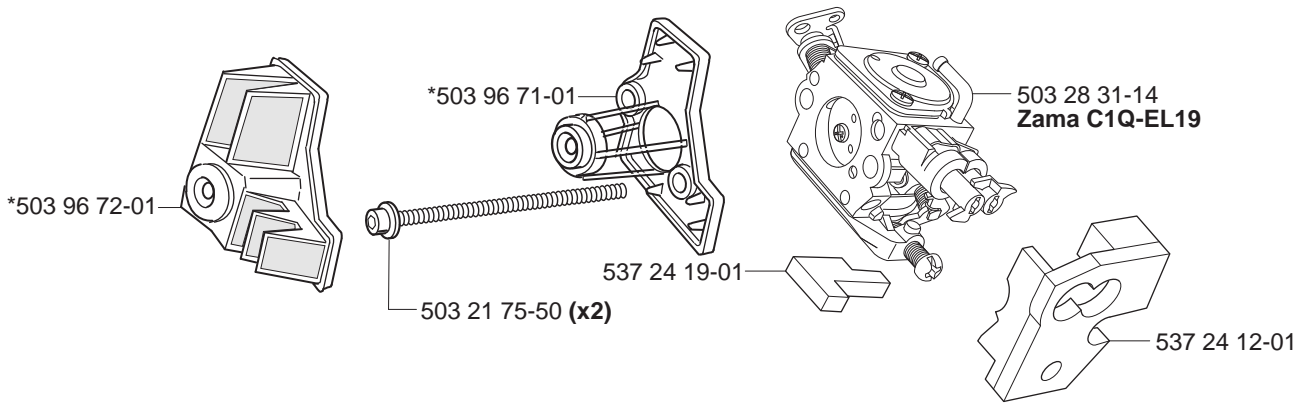
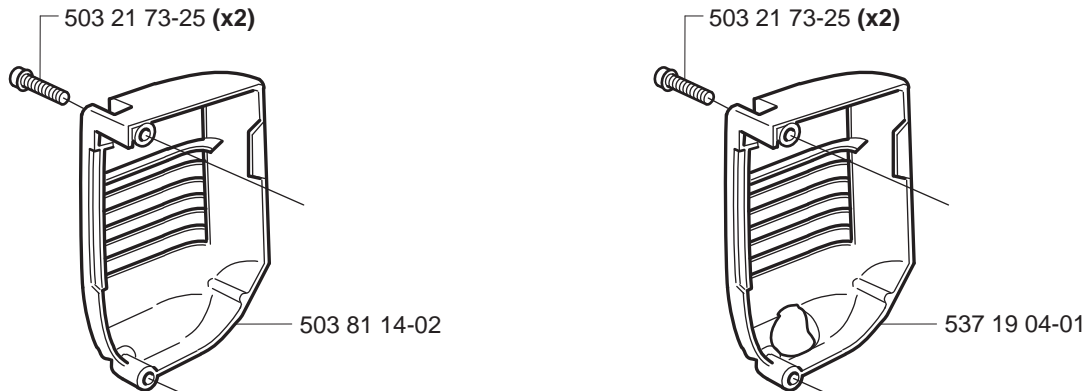
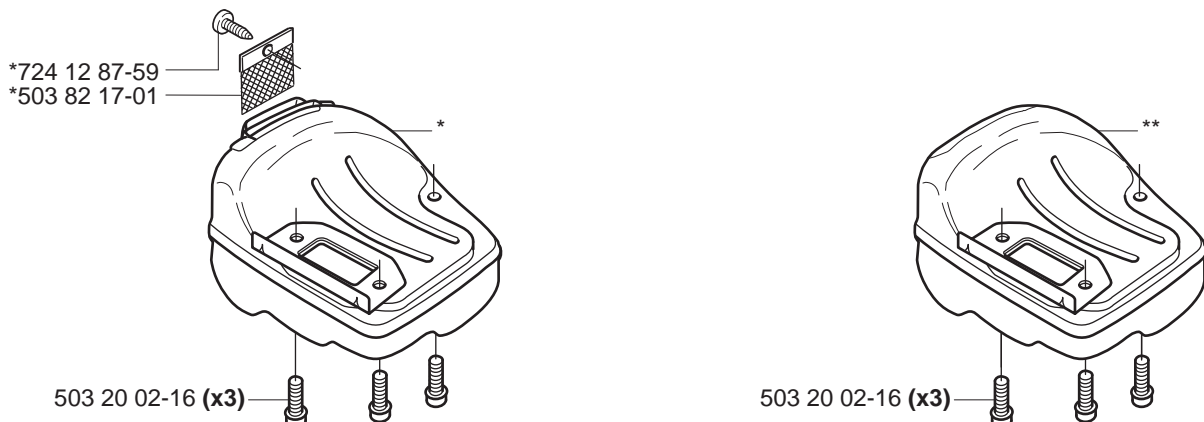
Repuestos

Reservdelar

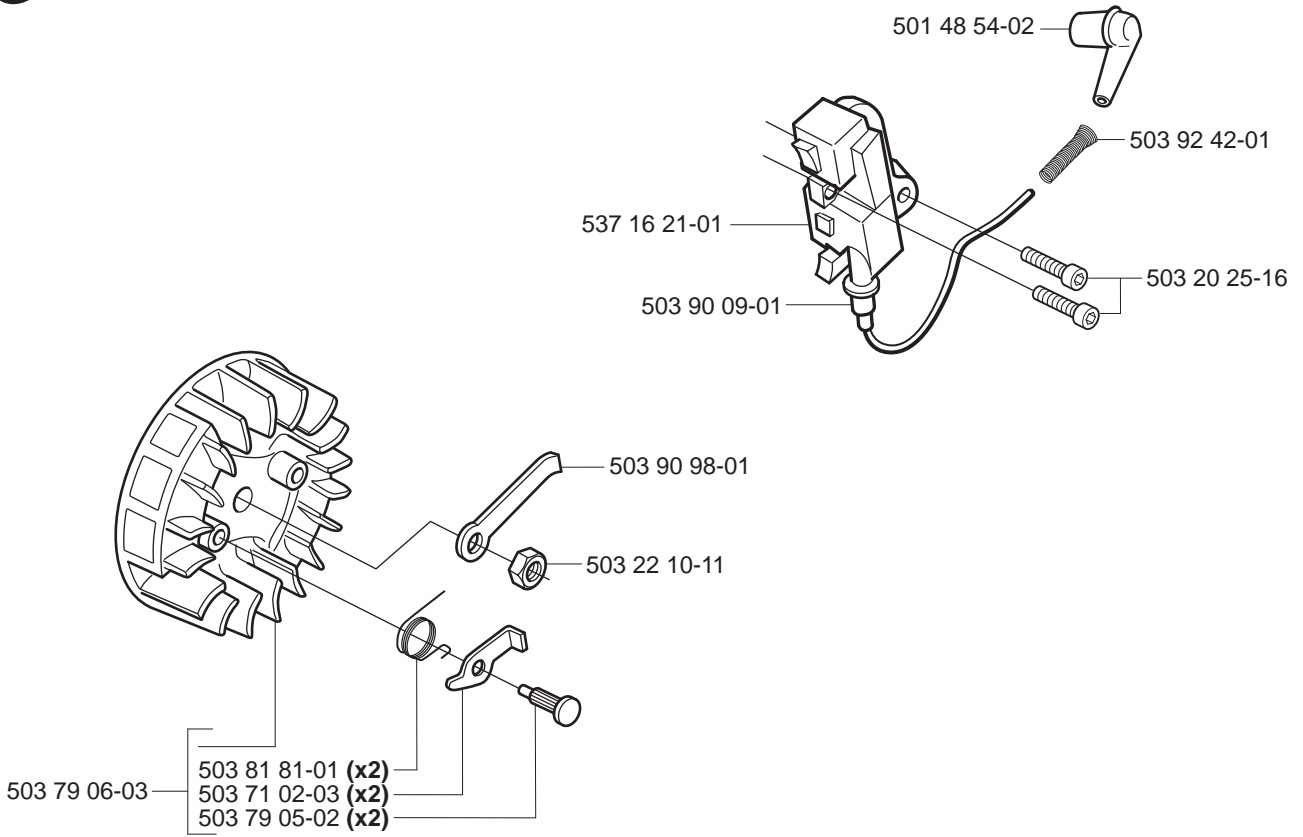
A

*compl 503 93 52-03

**B**

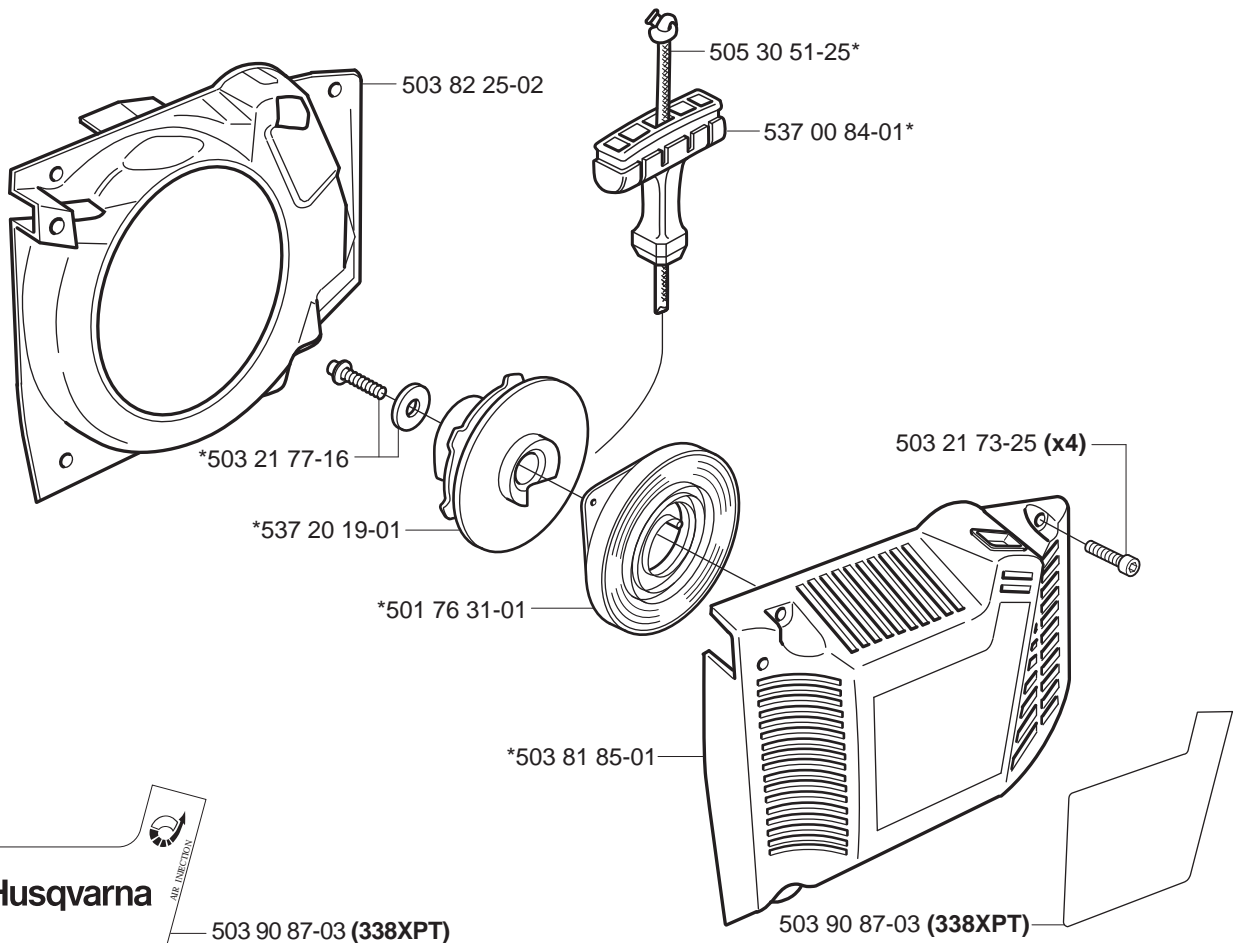
C***compl** 503 79 26-02**D*****compl** 537 02 15-01**E****F*****compl** 503 93 03-03****compl** 537 19 50-01

G



H

*compl 503 79 25-01



 Husqvarna

338XPT

PAT. PEND.

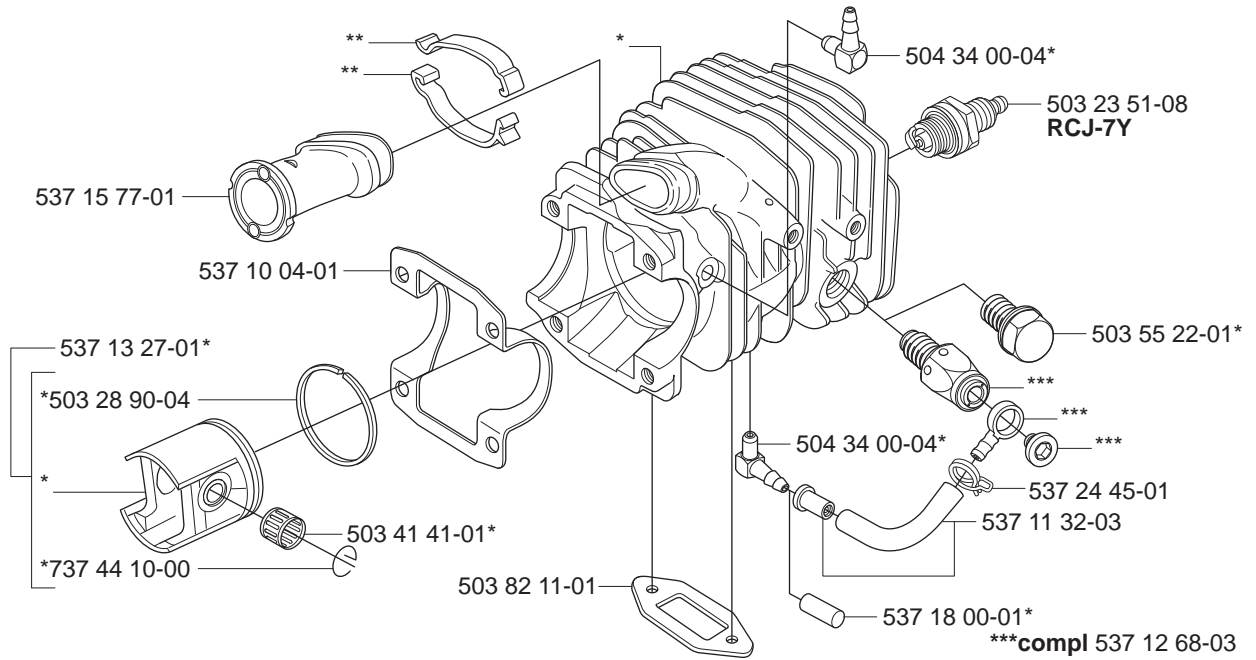
503 90 87-03 (338XPT)

503 90 87-03 (338XPT)

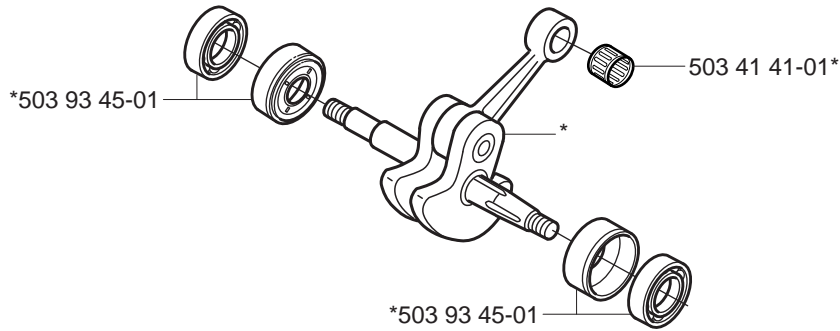
J

*compl 537 13 20-01

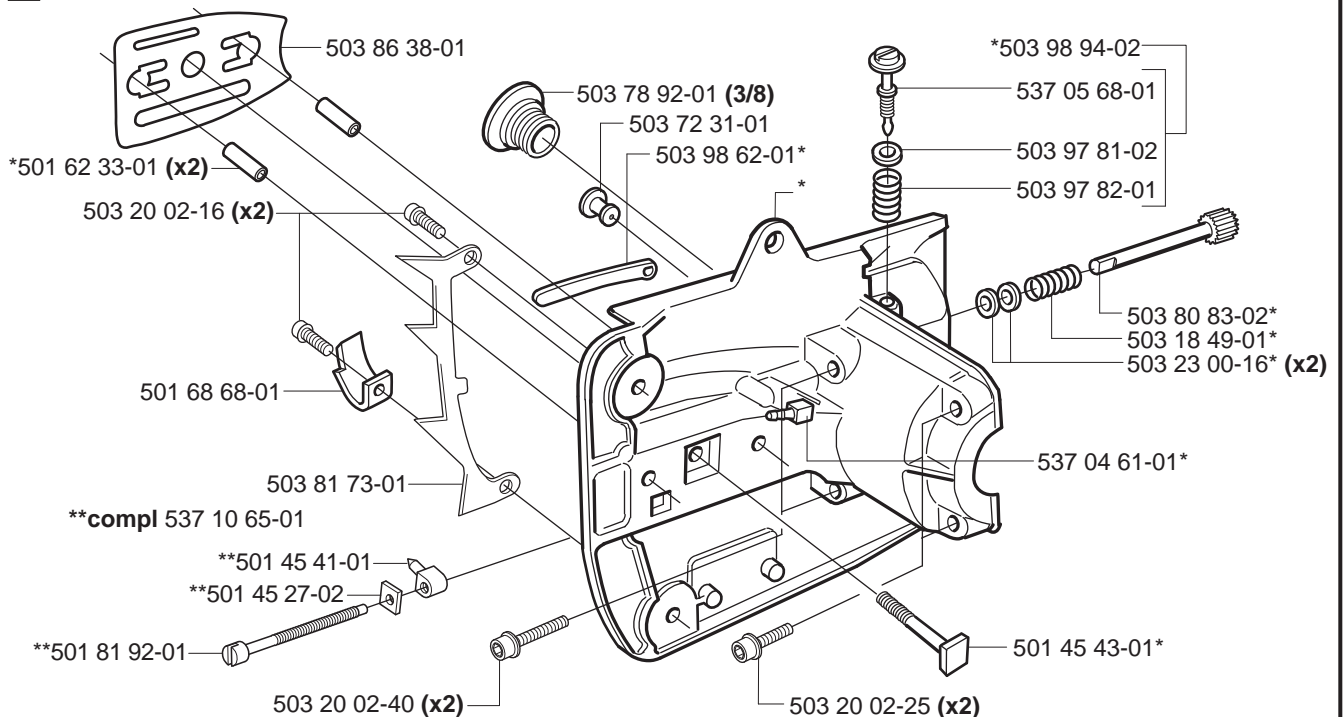
**compl 537 16 73-01

**K**

*compl 503 84 53-72

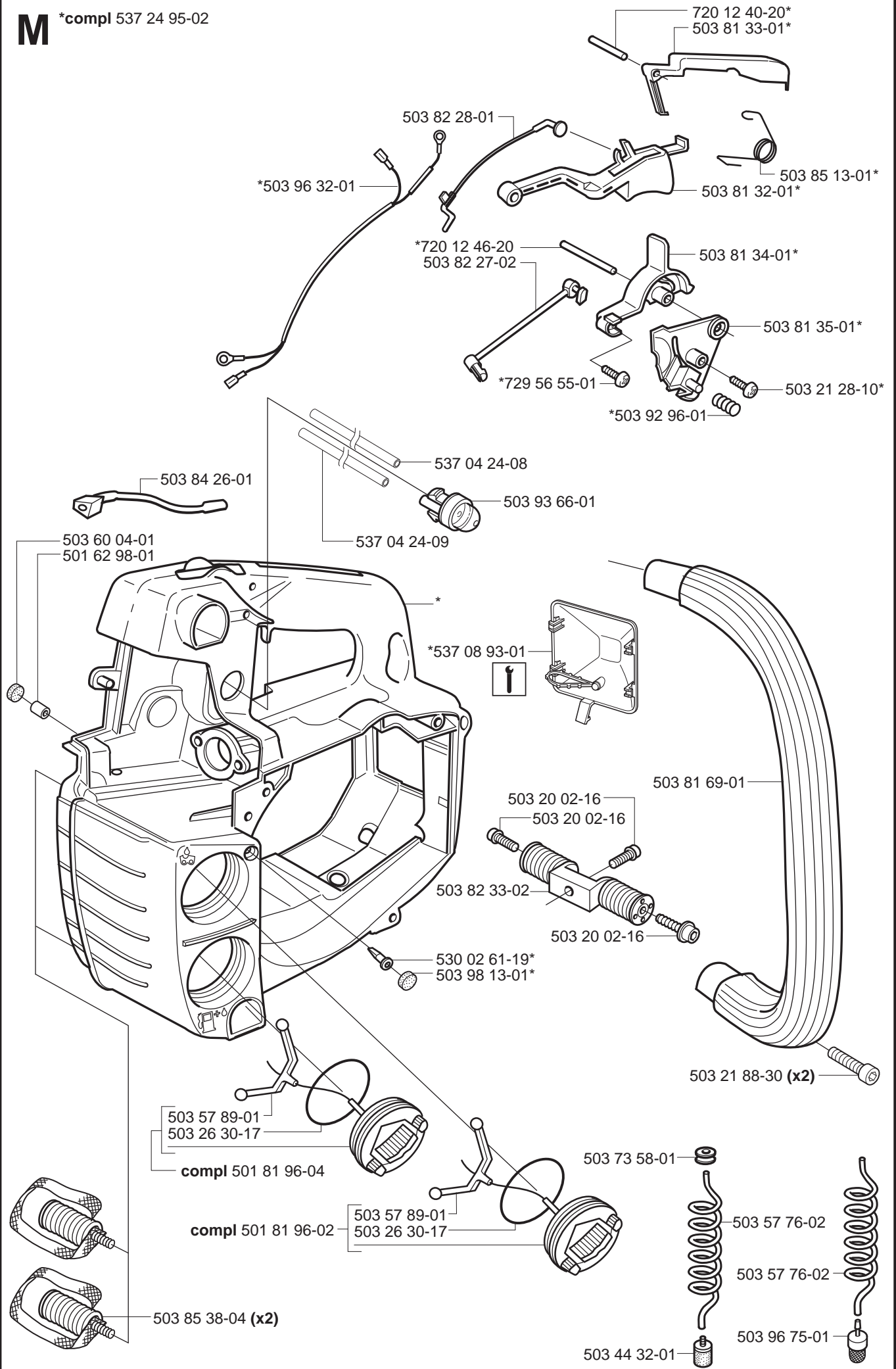
**L**

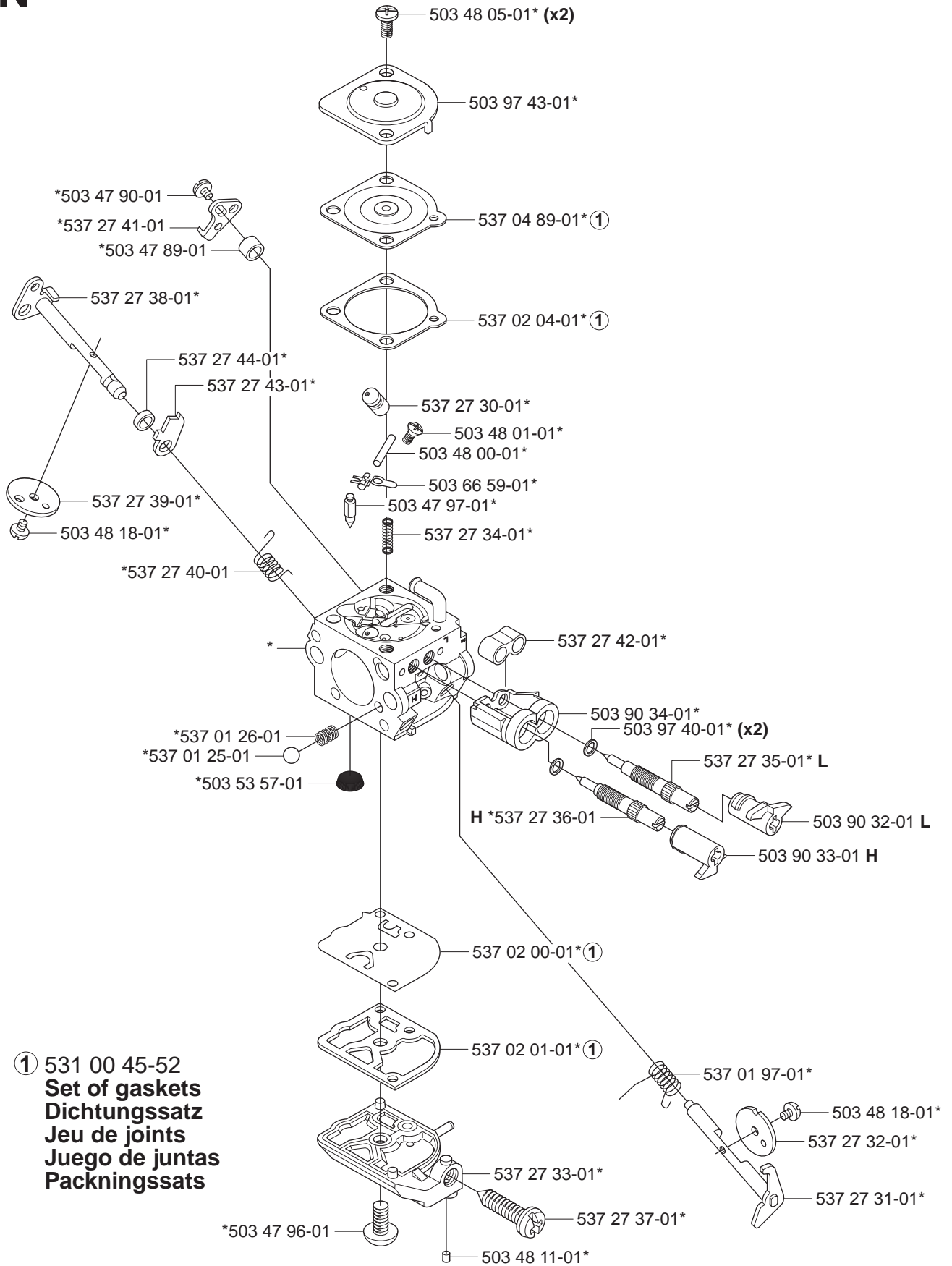
*compl 503 79 22-04



M

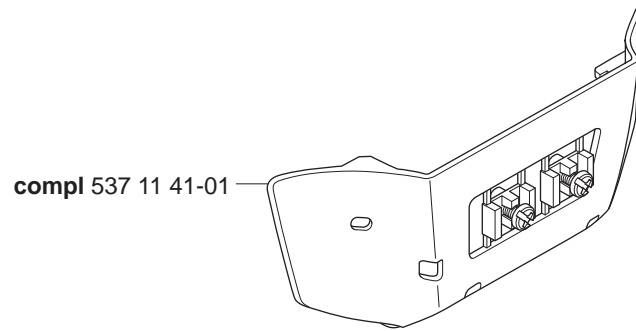
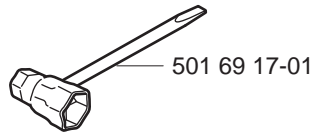
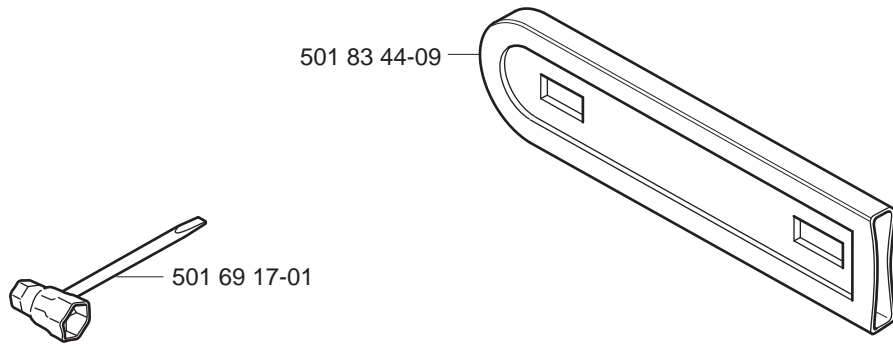
*compl 537 24 95-02





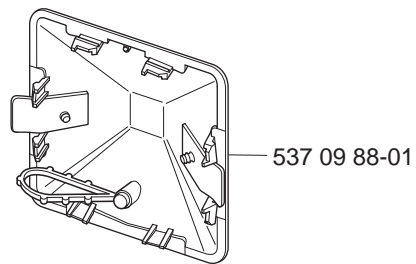
① 531 00 45-52
Set of gaskets
Dichtungssatz
Jeu de joints
Juego de juntas
Packningsatts

P Accessories
Zubehöre
Accessoires
Acessorios
Tillbehör



Q 

**Up to:
-001200207**



| PART NUMBER | SQUARE NOTE | PART NUMBER | SQUARE NOTE | PART NUMBER | SQUARE NOTE | PART NUMBER | SQUARE NOTE |
|--------------|-------------|--------------|-------------|--------------|-------------|-------------|-------------|
| 501 45 27-02 | L | 503 81 34-01 | M | 537 10 65-01 | L | | |
| 501 45 41-01 | L | 503 81 35-01 | M | 537 11 32-01 | J | | |
| 501 45 43-01 | L | 503 81 69-01 | M | 537 12 68-02 | J | | |
| 501 48 54-02 | G | 503 81 71-01 | A | 537 13 19-02 | J | | |
| 501 62 33-01 | L | 503 81 73-01 | L | 537 13 27-01 | J | | |
| 501 62 98-01 | M | 503 81 81-01 | G | 537 15 77-01 | J | | |
| 501 63 06-01 | H | 503 81 85-01 | H | 537 16 21-01 | G | | |
| 501 68 68-01 | L | 503 82 09-02 | C | 537 16 73-01 | J | | |
| 501 69 17-01 | P | 503 82 11-01 | J | 537 18 00-01 | J | | |
| 501 76 31-01 | H | 503 82 17-01 | F | 537 19 04-01 | E | | |
| | | | | | | | |
| 501 81 92-01 | L | 503 82 22-71 | B | 537 19 50-01 | F | | |
| 501 81 96-02 | M | 503 82 25-02 | H | 537 20 19-01 | H | | |
| 501 81 96-04 | M | 503 82 27-02 | M | 537 24 12-01 | D | | |
| 501 83 44-09 | P | 503 82 28-01 | M | 537 24 19-01 | D | | |
| 501 87 53-01 | A | 503 82 33-02 | M | 537 24 45-01 | J | | |
| 502 20 40-01 | C | 503 84 26-01 | M | 537 24 95-02 | M | | |
| 502 20 65-03 | C | 503 84 53-72 | K | 537 27 30-01 | N | | |
| 503 14 51-01 | B | 503 85 13-01 | M | 537 27 31-01 | N | | |
| 503 18 49-01 | L | 503 85 38-04 | M | 537 27 32-01 | N | | |
| 503 20 02-16 | F,M,L | 503 85 46-01 | A | 537 27 33-01 | N | | |
| | | | | | | | |
| 503 20 02-25 | L | 503 85 51-01 | A | 537 27 34-01 | N | | |
| 503 20 02-40 | L | 503 86 20-01 | A | 537 27 35-01 | N | | |
| 503 20 25-16 | G | 503 86 38-01 | L | 537 27 36-01 | N | | |
| 503 21 28-10 | A,M | 503 90 09-01 | G | 537 27 37-01 | N | | |
| 503 21 73-25 | E,H | 503 90 32-01 | N | 537 27 38-01 | N | | |
| 503 21 75-50 | D | 503 90 33-01 | N | 537 27 39-01 | N | | |
| 503 21 77-16 | H | 503 90 34-01 | N | 537 27 40-01 | N | | |
| 503 21 88-30 | M | 503 90 83-01 | A | 537 27 41-01 | N | | |
| 503 22 00-01 | A | 503 90 87-03 | H | 537 27 42-01 | N | | |
| 503 22 10-11 | G | 503 90 88-01 | A | 537 27 43-01 | N | | |
| | | | | | | | |
| 503 23 00-16 | L | 503 90 98-01 | G | 537 27 44-01 | N | | |
| 503 23 51-08 | J | 503 92 42-01 | G | 720 12 33-00 | A | | |
| 503 25 46-01 | B | 503 92 96-01 | M | 720 12 40-20 | M | | |
| 503 26 30-17 | M | 503 93 03-03 | F | 720 12 46-20 | M | | |
| 503 28 31-14 | D,N | 503 93 45-01 | K | 724 12 87-59 | F | | |
| 503 28 90-04 | J | 503 93 52-03 | A | 729 56 55-01 | M | | |
| 503 41 41-01 | J,K | 503 93 53-01 | A | 735 31 08-20 | A | | |
| 503 44 32-01 | M | 503 93 66-01 | M | 735 31 10-20 | A | | |
| 503 47 89-01 | N | 503 96 32-01 | M | 737 44 10-00 | J | | |
| 503 47 90-01 | N | 503 96 71-01 | D | | | | |
| | | | | | | | |
| 503 47 96-01 | N | 503 96 72-01 | D | | | | |
| 503 47 97-01 | N | 503 96 75-01 | M | | | | |
| 503 48 00-01 | N | 503 97 40-01 | N | | | | |
| 503 48 01-01 | N | 503 97 43-01 | N | | | | |
| 503 48 05-01 | N | 503 97 81-02 | L | | | | |
| 503 48 11-01 | N | 503 97 82-01 | L | | | | |
| 503 48 18-01 | N | 503 98 13-01 | M | | | | |
| 503 52 12-04 | B | 503 98 62-01 | L | | | | |
| 503 53 57-01 | N | 503 98 74-01 | A | | | | |
| 503 55 22-01 | J | 503 98 94-02 | L | | | | |
| | | | | | | | |
| 503 57 76-02 | M | 504 34 00-04 | J | | | | |
| 503 57 89-01 | M | 505 30 51-25 | H | | | | |
| 503 60 04-01 | M | 530 02 61-19 | M | | | | |
| 503 66 59-01 | N | 531 00 45-52 | N | | | | |
| 503 71 02-03 | G | 537 00 84-01 | H | | | | |
| 503 71 40-03 | B | 537 01 25-01 | N | | | | |
| 503 72 31-01 | L | 537 01 26-01 | N | | | | |
| 503 73 58-01 | M | 537 01 97-01 | N | | | | |
| 503 78 92-01 | L | 537 02 00-01 | N | | | | |
| 503 79 05-02 | G | 537 02 01-01 | N | | | | |
| | | | | | | | |
| 503 79 06-03 | G | 537 02 04-01 | N | | | | |
| 503 79 22-04 | L | 537 02 15-01 | D | | | | |
| 503 79 25-01 | H | 537 04 24-08 | M | | | | |
| 503 79 26-02 | C | 537 04 24-09 | M | | | | |
| 503 80 52-01 | A | 537 04 61-01 | L | | | | |
| 503 80 83-02 | L | 537 04 89-01 | N | | | | |
| 503 80 97-02 | A | 537 05 68-01 | L | | | | |
| 503 81 14-02 | E | 537 08 93-01 | M | | | | |
| 503 81 32-01 | M | 537 09 28-01 | A | | | | |
| 503 81 33-01 | M | 537 10 04-01 | J | | | | |

Set of gaskets, Dichtungssatz,
Jeu de joints, Juego de juntas,
Packningsatts

N = New part, Neues teil,
Nouvelle piece, Nueva pieza
Ny detalj